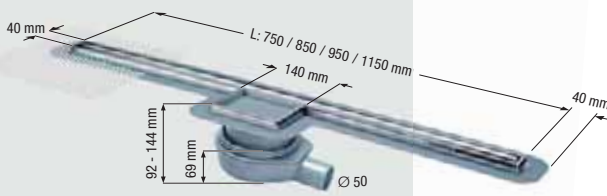
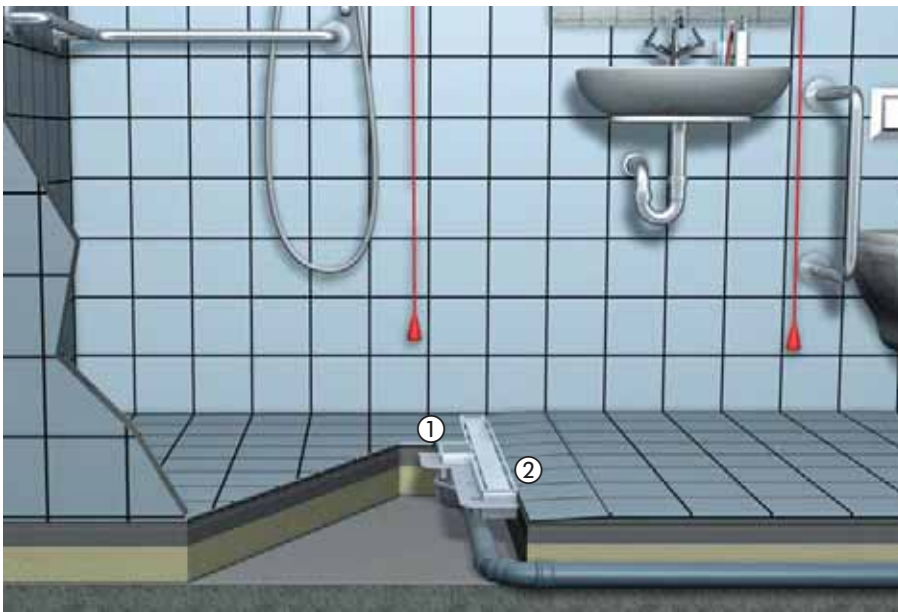


<i>Linearis Super60</i>			Products
Illustration and dimensioned drawing	Article description	Channel length	Article #
	<p><b>Shower channel <i>Linearis Super60</i> in ABS with tileable access cover</b>  <b>With bathroom drain body “The Ultraflat”</b>                      in ABS, Ø 50, lateral outlet                      With removable odour trap, sealing water height 30 mm</p> <p><input type="checkbox"/> <b>cover and rim in stainless steel AISI 304</b>                      (Channel cover can be reversed and tiled on site), class K 3, with seeping water opening</p>	750 mm	<b>45 700.83</b>
		850 mm	<b>45 700.84</b>
		950 mm	<b>45 700.85</b>
		1150 mm	<b>45 700.87</b>
Installation supports and mesh fabric included	1.1 l/sec flow rate without threshold, 1.2 l/sec flow rate with 10 mm threshold		

<i>Linearis</i>			Products
Illustration and dimensioned drawing	Article description	Channel length	Article #
	<p><b>Shower channel <i>Linearis</i> in ABS with tileable access cover</b>  <b>With bathroom drain body “The Ultraflat”</b>                      in ABS, Ø 50, lateral outlet                      With removable odour trap, sealing water height 30 mm</p> <p><input type="checkbox"/> <b>cover and rim in stainless steel AISI 304</b>                      class K 3, with seeping water opening</p>	750 mm	<b>45 700.73</b>
		850 mm	<b>45 700.74</b>
		950 mm	<b>45 700.75</b>
		1150 mm	<b>45 700.77</b>
Installation supports and mesh fabric included	0.4 l/sec flow rate with 10 mm threshold		

Installation example *Linearis Super60*



The *Linearis Super60* shower channels offers a very high flow rate of 72 liters per minute making it perfect for use in higher flow applications. The *Linearis Super60* also allows full service access to the odor trap and drain body via the removable channel and access cover ① for cleaning and maintenance purposes. The attractive stainless steel channel ② can also be reversed revealing a recessed area which can be tiled to also offer the “invisible” tiled look. One channel with your choice of two styles - stainless or invisible.

Installation example *Linearis*



The *Linearis* shower channel features a narrow, elegant stainless steel channel ① which can be discreetly integrated into the bathroom design. With a flow capacity of 24 liters per minute the *Linearis* shower channel is ideal for mounting against the wall at the back of the shower. For cleaning and maintenance purposes the stainless steel channel and tileable access cover ② can be removed allowing full access to the odor trap and drain body.

Professional advantages

- **Wide channel with high flow rate from 1.1 - 1.2 l/sec**
- **Easy cleaning**  
Access cover for easy cleaning and maintenance
- **Channel cover can be reversed and tiled on site**
- **Channel length:** 750 mm, 850 mm, 950 mm, 1150 mm
- **Also suitable for installation on door side**
- **Flexible modular system** with a large number of components.



**SmartSelect** makes planning quite simply quicker - visit [smartselect.kessel.de](http://smartselect.kessel.de) for the configurator for alternative waterproofing layers in the system

Professional advantages

- **Flow rate 0.4 l/sec**
- **Extremely narrow and elegant channel**
- **Easy cleaning**  
Access cover for easy cleaning and maintenance
- **Particularly suitable** for installation on the wall side
- **Channel length:** 750 mm, 850 mm, 950 mm, 1150 mm
- **Flexible modular system** with a large number of components.



**SmartSelect** makes planning quite simply quicker - visit [smartselect.kessel.de](http://smartselect.kessel.de) for the configurator for alternative waterproofing layers in the system